



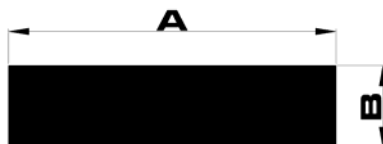
MACRO

EXTRUSÃO DE ALUMÍNIO

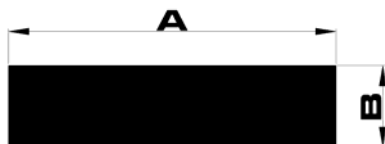
CATÁLOGO DE PRODUTOS

versão

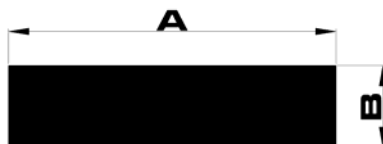




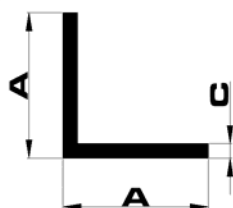
Peso por metro	POLEGADAS		MILÍMETROS	
	A	B	A	B
0,049	---	---	9,00	2,00
0,082	3/8	1/8	9,54	3,18
0,060	---	---	11,00	2,00
0,055	1/2	1/16	12,70	1,59
0,109	1/2	1/8	12,70	3,18
0,164	1/2	3/16	12,70	4,77
0,219	1/2	1/4	12,70	6,35
0,328	1/2	3/8	12,70	9,54
0,070	---	---	13,00	2,00
0,068	5/8	1/16	15,88	1,59
0,137	5/8	1/8	15,88	3,18
0,205	5/8	3/16	15,88	4,77
0,273	5/8	1/4	15,88	6,35
0,341	5/8	5/16	15,88	7,94
0,082	3/4	1/16	19,05	1,59
0,123	3/4	3/32	19,05	2,38
0,164	3/4	1/8	19,05	3,18
0,246	3/4	3/16	19,05	4,77
0,328	3/4	1/4	19,05	6,35
0,656	3/4	1/2	19,05	12,70
0,054	---	---	20,00	1,00
0,217	---	---	20,00	4,00
0,191	7/8	1/8	22,23	3,18
0,301	7/8	---	22,23	5,00
0,252	---	---	24,50	3,80
0,109	1	1/16	25,40	1,59
0,219	1	1/8	25,40	3,18
0,273	1	5/32	25,40	3,97
0,328	1	3/16	25,40	4,77



Peso por metro	POLEGADAS		MILÍMETROS	
	A	B	A	B
0,437	1	1/4	25,40	6,35
0,656	1	3/8	25,40	9,54
1,311	1	3/4	25,40	19,05
0,516	---	1/4	30,00	6,35
0,273	1.1/4	1/8	31,75	3,18
0,410	1.1/4	3/16	31,75	4,77
0,546	1.1/4	1/4	31,75	6,35
0,820	1.1/4	3/8	31,75	9,54
1,093	1.1/4	1/2	31,75	12,70
1,639	1.1/4	3/4	31,75	19,05
0,284	---	1/8	33,00	3,18
0,145	---	---	35,60	1,50
0,164	1.1/2	1/16	38,10	1,59
0,328	1.1/2	1/8	38,10	3,18
0,492	1.1/2	3/16	38,10	4,77
0,656	1.1/2	1/4	38,10	6,35
0,983	1.1/2	3/8	38,10	9,54
1,311	1.1/2	1/2	38,10	12,70
1,967	1.1/2	3/4	38,10	19,05
0,710	1.5/8	1/4	41,28	6,35
0,367	---	1/8	42,60	3,18
0,478	1.3/4	5/32	44,45	3,97
0,956	1.3/4	5/16	44,45	7,94
1,530	1.3/4	1/2	44,45	12,70
0,437	2	1/8	50,80	3,18
0,656	2	3/16	50,80	4,77
0,874	2	1/4	50,80	6,35
1,311	2	3/8	50,80	9,54
1,748	2	1/2	50,80	12,70

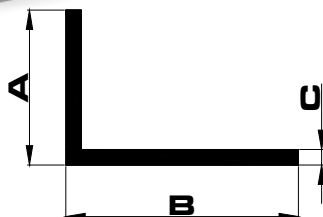


Peso por metro	POLEGADAS		MILÍMETROS	
	A	B	A	B
0,596	---	---	55,00	4,00
0,500	---	1/8	58,00	3,18
0,813	---	---	60,00	5,00
1,093	2.1/2	1/4	63,50	6,35
1,639	2.1/2	3/8	63,50	9,54
0,287	2.5/8	1/16	66,68	1,59
0,656	3	1/8	76,20	3,18
0,492	3	3/32	76,20	2,38
0,991	3	---	76,20	4,80
1,311	3	1/4	76,20	6,35
1,967	3	3/8	76,20	9,54
1,257	---	---	80,00	5,80
0,465	---	---	101,00	1,70
0,874	4	1/8	101,60	3,18



Peso por metro	POLEGADAS			MILÍMETROS		
	A	A	C	A	A	C
0,066	1/2	1/2	---	12,70	12,70	1,00
0,102	1/2	1/2	1/16	12,70	12,70	1,59
0,083	5/8	5/8	---	15,88	15,88	1,00
0,130	5/8	5/8	1/16	15,88	15,88	1,59
0,246	5/8	5/8	1/8	15,88	15,88	3,18
0,101	3/4	3/4	---	19,05	19,05	1,00
0,120	3/4	3/4	---	19,05	19,05	1,20
0,130	3/4	3/4	---	19,05	19,05	1,30
0,157	3/4	3/4	1/16	19,05	19,05	1,59
0,301	3/4	3/4	1/8	19,05	19,05	3,18
0,161	1	1	---	25,40	25,40	1,20
0,212	1	1	1/16	25,40	25,40	1,59
0,312	1	1	3/32	25,40	25,40	2,38
0,376	1	1	---	25,40	25,40	2,90
0,410	1	1	1/8	25,40	25,40	3,18
0,594	1	1	3/16	25,40	25,40	4,77
0,266	1.1/4	1.1/4	1/16	31,75	31,75	1,59
0,519	1.1/4	1.1/4	1/8	31,75	31,75	3,18
0,758	1.1/4	1.1/4	3/16	31,75	31,75	4,77
0,402	1.1/2	1.1/2	---	38,10	38,10	2,00
0,628	1.1/2	1.1/2	1/8	38,10	38,10	3,18
1,202	1.1/2	1.1/2	1/4	38,10	38,10	6,35
0,824	---	---	---	40,00	40,00	4,00
0,847	2	2	1/8	50,80	50,80	3,18
1,250	2	2	3/16	50,80	50,80	4,77
1,639	2	2	1/4	50,80	50,80	6,35
2,377	2	2	3/8	50,80	50,80	9,54
2,076	2.1/2	2.1/2	1/4	63,50	63,50	6,35

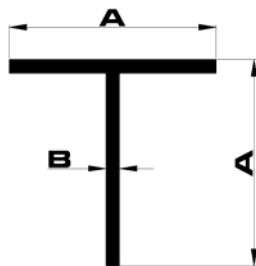
CANTONEIRA ABAS DESIGUAIS



Peso por metro	POLEGADAS			MILÍMETROS		
	A	B	C	A	B	C
0,301	1	1/2	1/8	25,40	12,70	3,18
0,211	---	---	---	30,00	15,00	1,80
0,224	*---	*---	*---	31,90	18,00	1,90
0,342	---	---	---	35,00	18,00	2,50
0,410	1.1/2	1/2	1/8	38,10	12,70	3,18
0,519	1.1/2	1	1/8	38,10	25,40	3,18
0,265	---	---	---	40,00	11,00	2,00
0,201	---	---	---	50,00	25,00	1,00
0,628	2	1	1/8	50,80	25,40	3,18
0,247	---	---	---	80,00	12,00	1,00
2,610	---	---	---	80,00	50,00	7,90

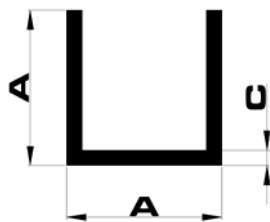
* CANTO ARREDONDADO.

PERFIL T



Peso por metro	POLEGADAS			MILÍMETROS		
	A	B	C	A	B	C
0,191	1/2	1/2	1/8	12,70	12,70	3,18
0,410	1	1	1/8	25,40	25,40	3,18
0,519	1.1/4	1.1/4	1/8	31,75	31,75	3,18
0,628	1.1/2	1.1/2	1/8	38,10	38,10	3,18
0,430	2	2	1/16	50,80	50,80	1,59
0,847	2	2	1/8	50,80	50,80	3,18

PERFIL U ABAS IGUAIS

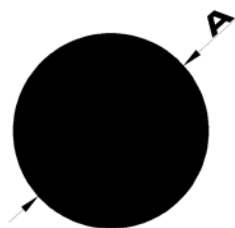


Peso por metro	POLEGADAS			MILÍMETROS		
	A	A	C	A	A	C
0,150	1/2	1/2	1/16	12,70	12,70	1,59
0,369	1/2	1/2	3/16	12,70	12,70	4,77
0,191	5/8	5/8	1/16	15,88	15,88	1,59
0,355	5/8	5/8	1/8	15,88	15,88	3,18
0,232	3/4	3/4	1/16	19,05	19,05	1,59
0,461	1	1	3/32	25,40	25,40	2,38
0,601	1	1	1/8	25,40	25,40	3,18

PERFIL U ABAS DESIGUAIS

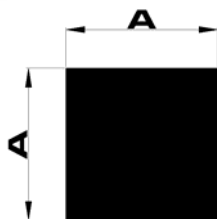


Peso por metro	POLEGADAS			MILÍMETROS		
	A	B	C	A	B	C
0,203	---	---	---	9,00	22,00	1,50
0,191	---	---	---	10,00	20,00	1,50
0,171	---	---	---	11,00	22,00	1,20
0,063	---	---	---	11,50	6,00	1,10
0,226	---	---	---	14,50	22,00	1,50
0,178	3/4	1/2	1/16	19,05	12,70	1,59
0,548	---	---	1/8	20,00	25,00	3,18
0,096	---	---	---	22,00	5,00	1,20
0,252	---	---	---	25,00	20,00	1,50
0,305	1.1/2	---	1/16	38,10	18,00	1,59
1,772	---	---	---	45,00	38,00	6,00

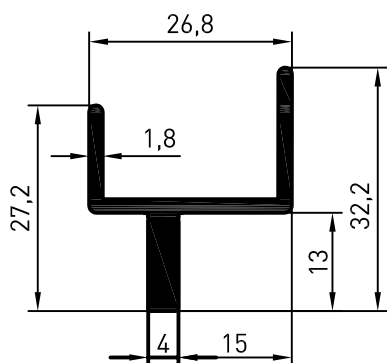


Peso por metro	POLEGADAS	MILÍMETROS
	A	A
0,048	3/16	4,77
0,085	1/4	6,35
0,134	5/16	7,94
0,192	3/8	9,84
0,305	---	12,00
0,342	1/2	12,70
0,433	9/16	14,29
0,646	11/16	17,46
0,687	---	18,00
0,769	3/4	19,05
1,047	7/8	22,23
1,325	---	25,00
1,368	1	25,40
1,603	---	27,50
2,137	1.1/4	31,75
3,077	1.1/2	38,10
5,471	2	50,80

**VERGALHÃO
QUADRADO**

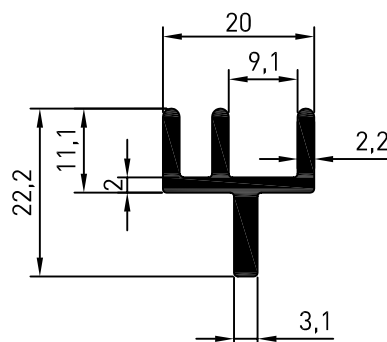


Peso por metro	POLEGADAS	MILÍMETROS
	A	A
0,091	---	5,80
0,109	1/4	6,35
0,171	5/16	7,94
0,246	3/8	9,54
0,335	7/16	11,11
0,437	1/2	12,70
0,683	5/8	15,88
0,983	3/4	19,05
1,339	7/8	22,23
1,748	1	25,40
2,732	1.1/4	31,75



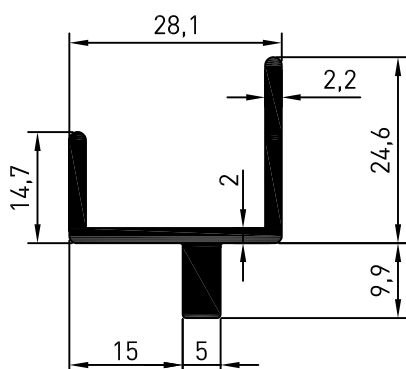
M-462

0,414 kg/m



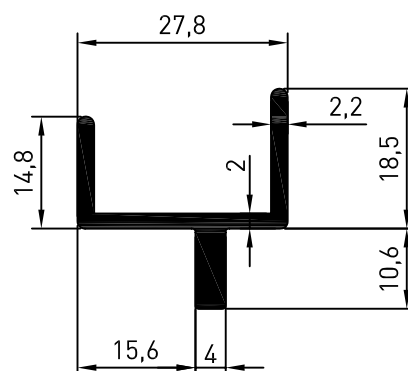
M-464

0,360 kg/m



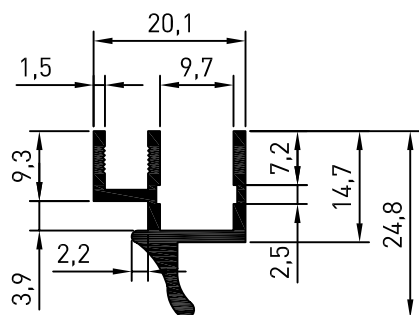
M-493

0,493 kg/m



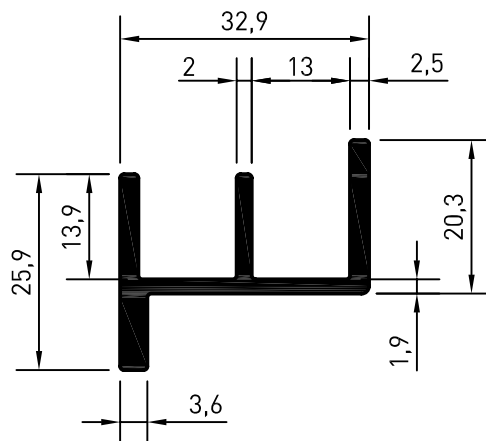
M-494

0,437 kg/m



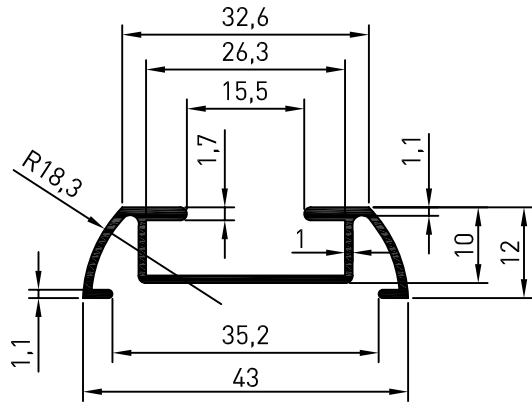
M-536

0,299 kg/m



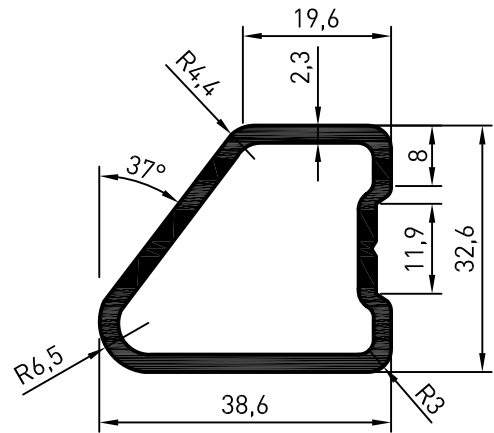
M-1026

0,557 kg/m



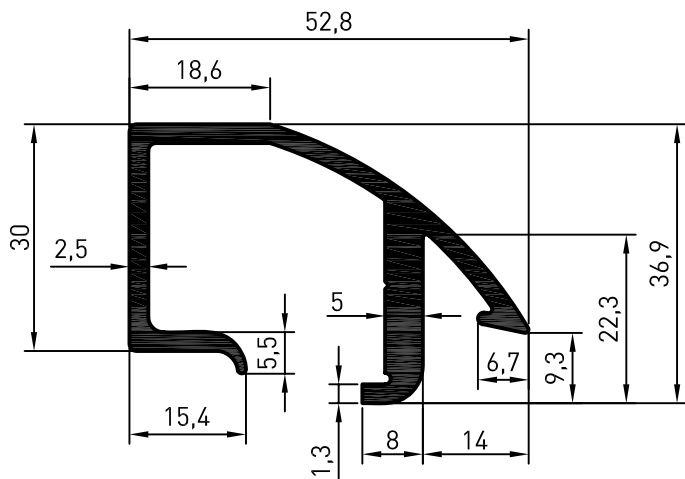
M-456

0,273 kg/m



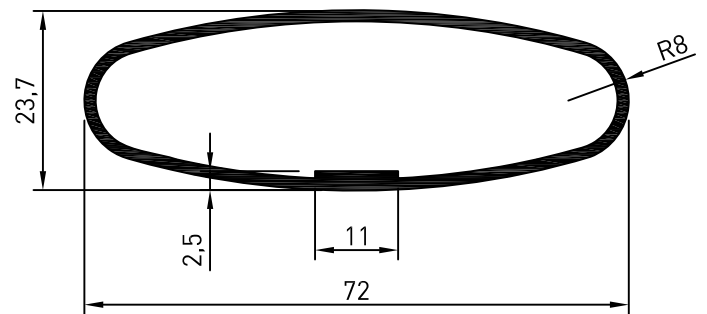
M-470

0,751 kg/m



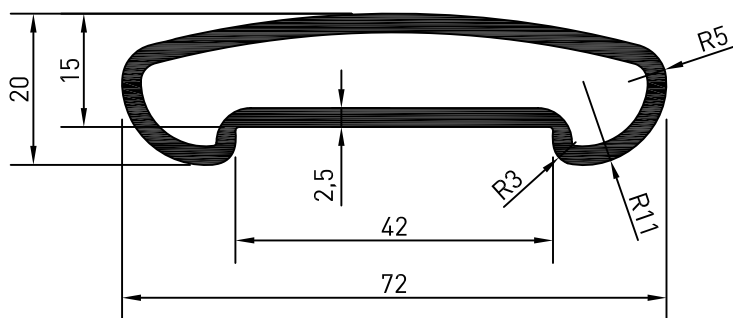
M-605

1,031 kg/m



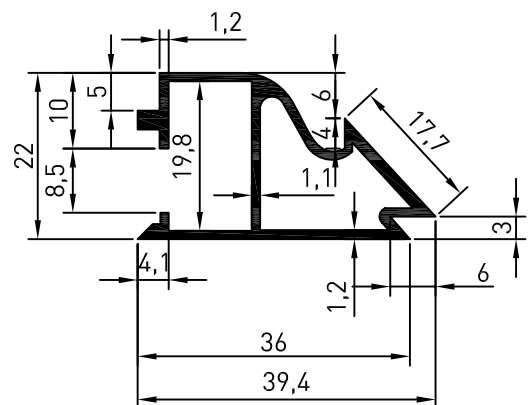
M-622

0,674 kg/m



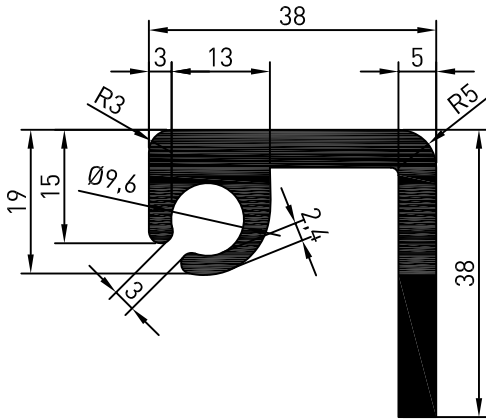
M-834

1,082 kg/m



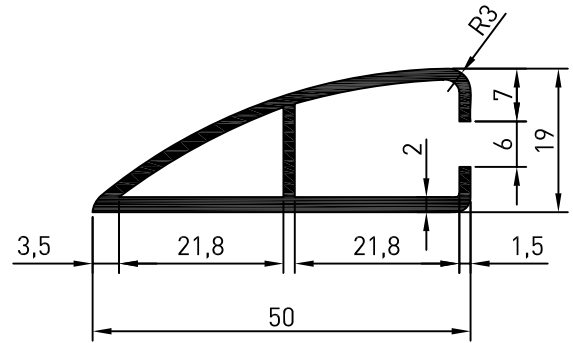
M-461

0,417 kg/m



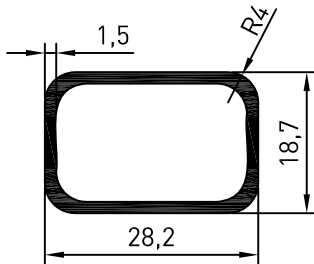
M-472

1,260 kg/m



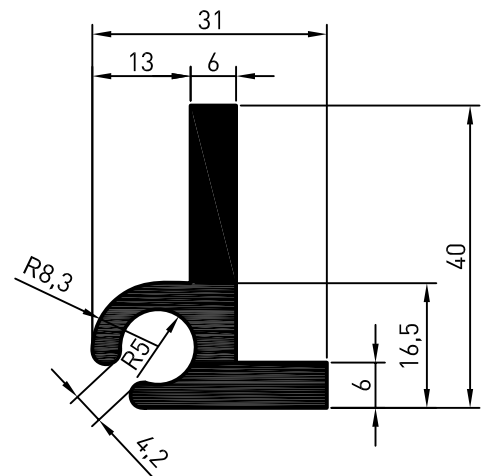
M-474

0,572 kg/m



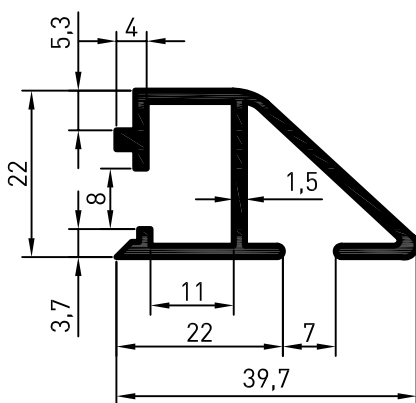
M-475

0,357 kg/m



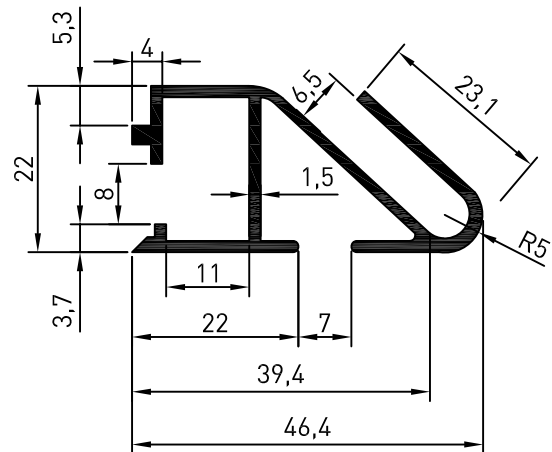
M-476

1,085 kg/m



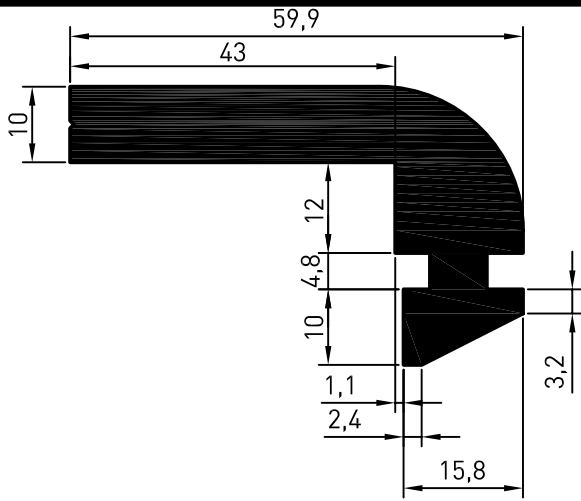
M-590

0,431 kg/m



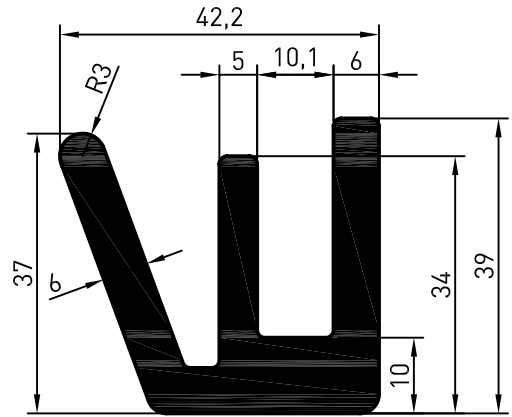
M-593

0,566 kg/m



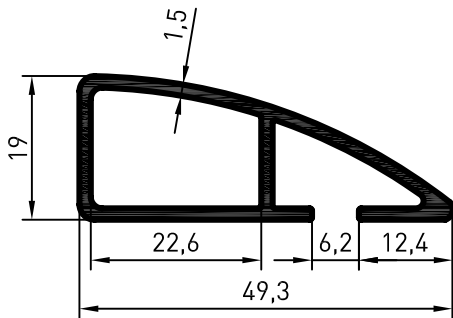
M-620

2,364 kg/m



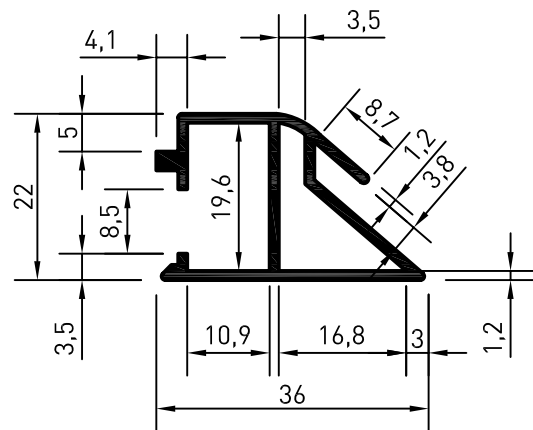
M-652

2,047 kg/m



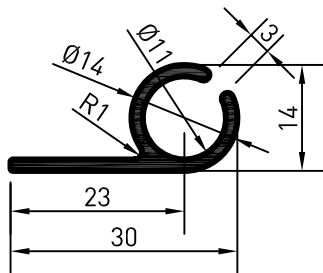
M-664

0,504 kg/m



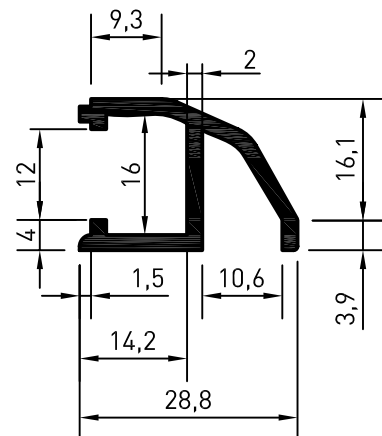
M-799

0,403 kg/m



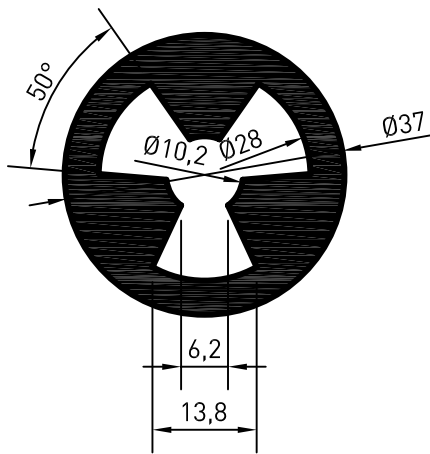
M-888

0,230 kg/m



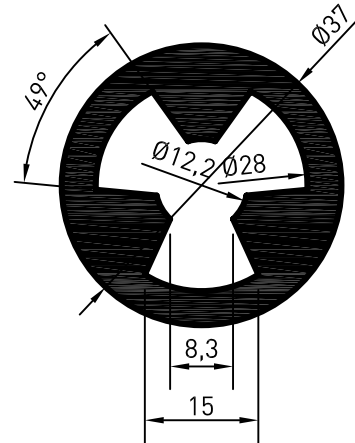
M-1164

0,393 kg/m



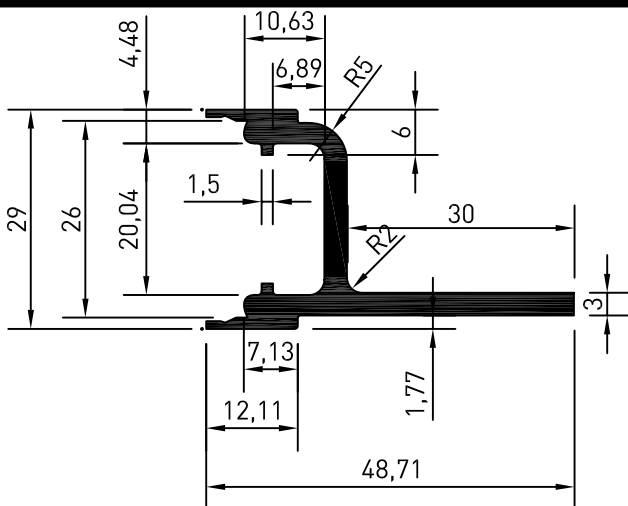
M-909

1,929 kg/m



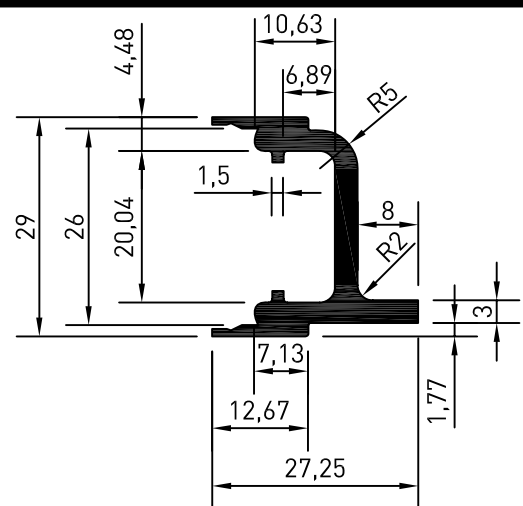
M-910

1,796 kg/m



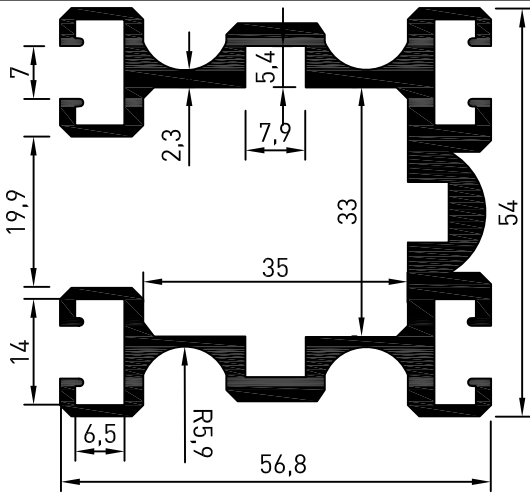
M-1054

0,710 kg/m

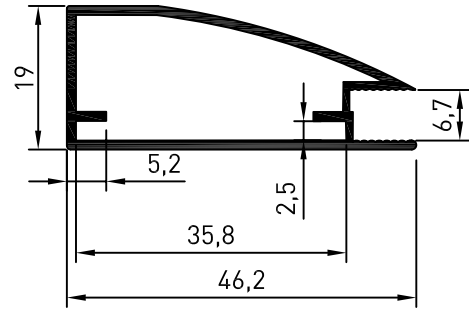


M-1141

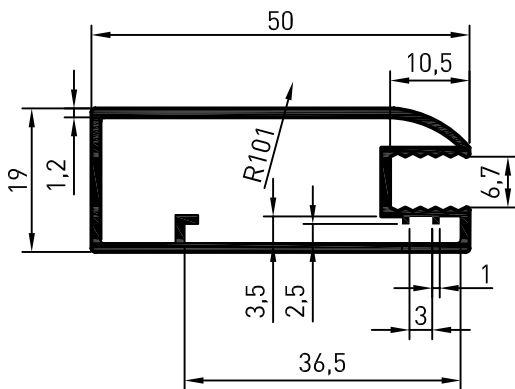
0,536 kg/m



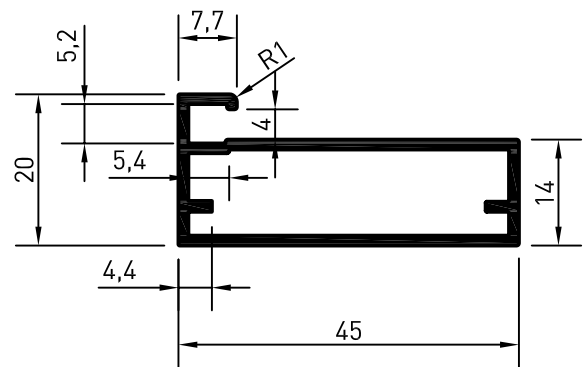
M-404 1,910 kg/m



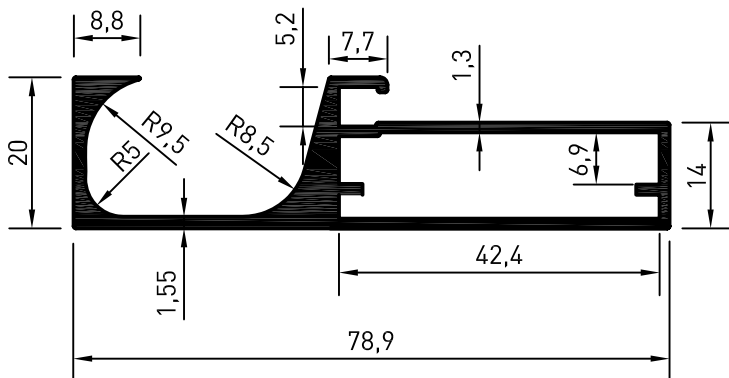
M-421 0,409 kg/m



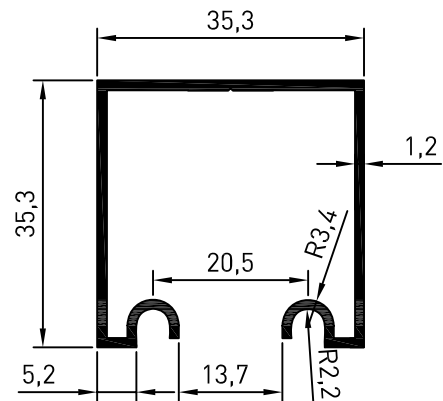
M-448 0,499 kg/m



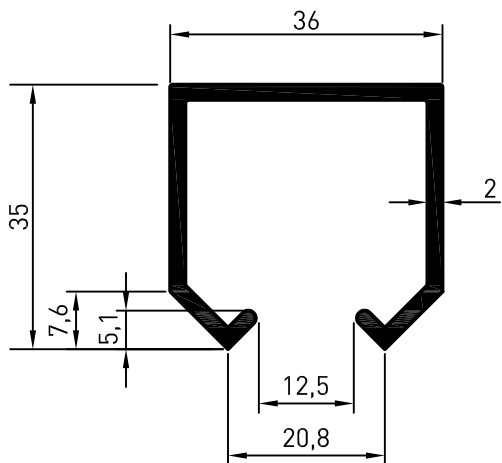
M-1379 0,466 kg/m



M-1380 0,879 kg/m

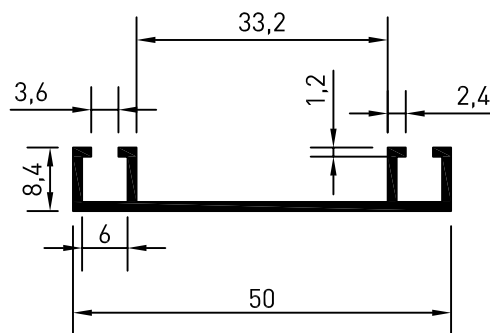


M-1381 0,459 kg/m



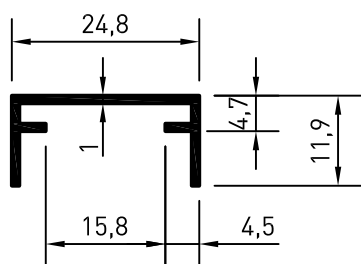
M-1382

0,611 kg/m



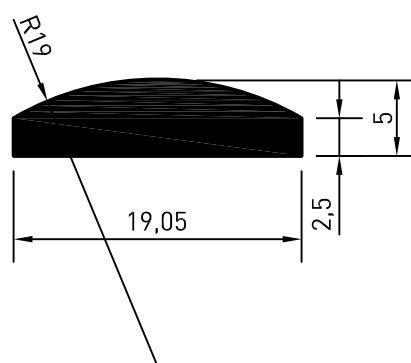
M-1104

0,271 kg/m



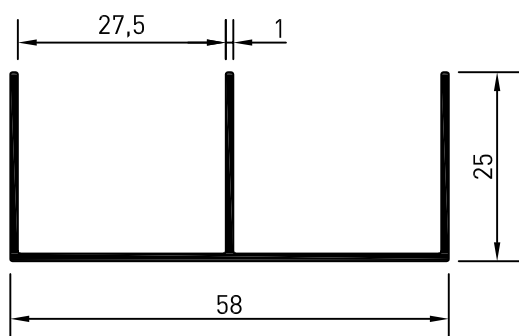
M-1271

0,145 kg/m



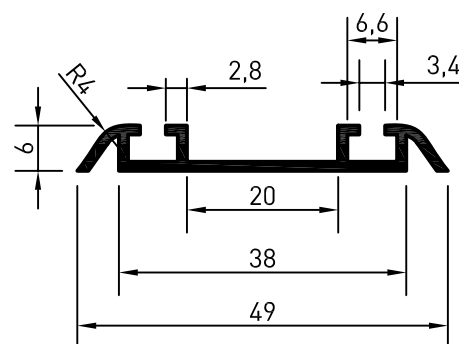
M-1311

0,875 kg/m



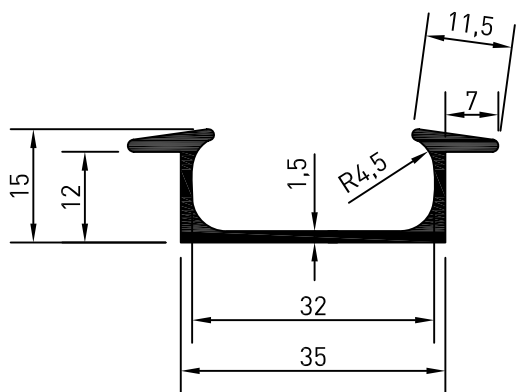
M-1406

0,352 kg/m



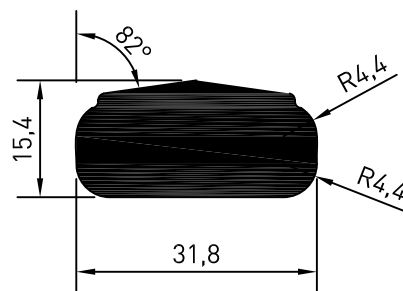
M-1457

0,254 kg/m



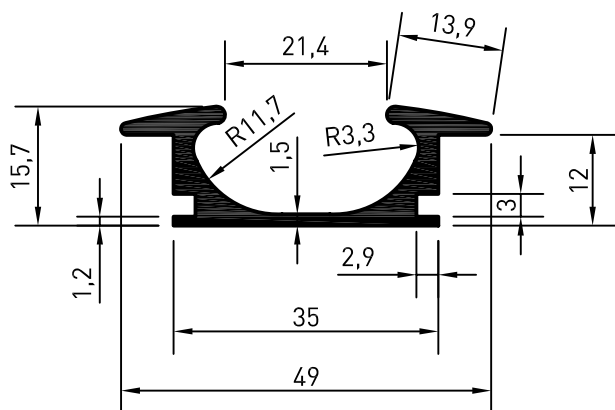
M-801

0,380 kg/m



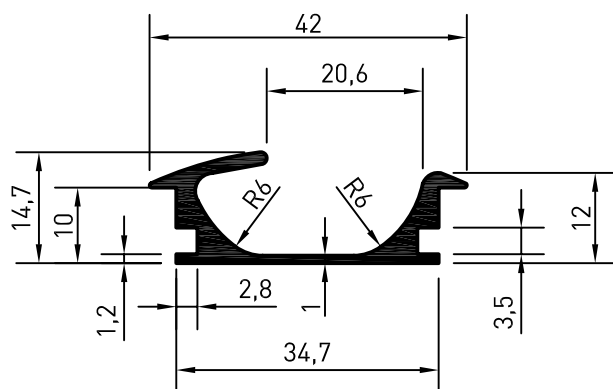
M-802

1,175 kg/m



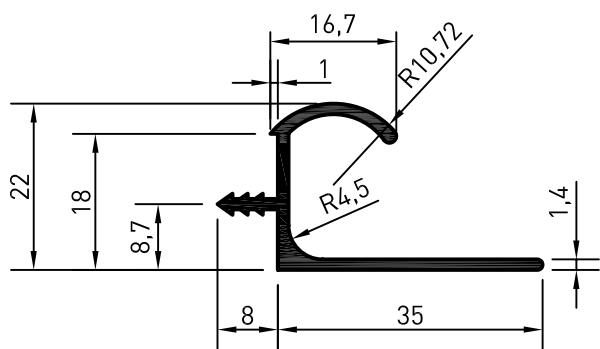
M-1027

0,559 kg/m



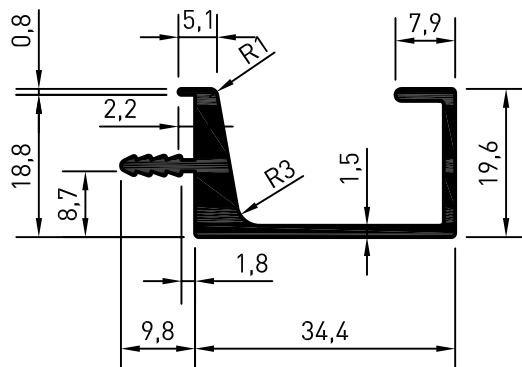
M-1089

0,374 kg/m



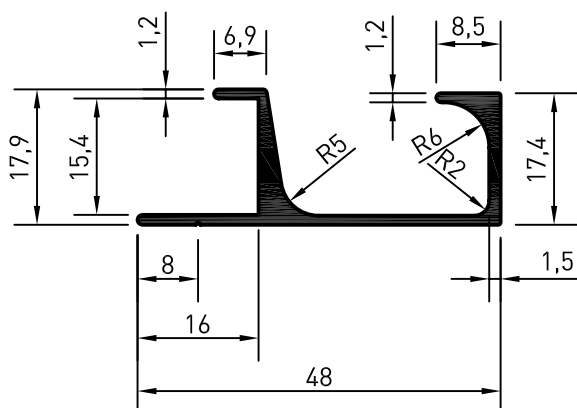
M-807

0,313 kg/m



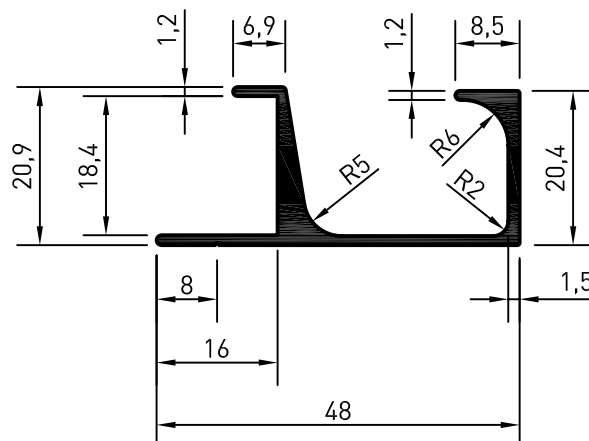
M-1262

0,516 kg/m



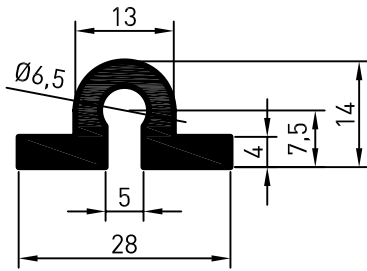
M-1327

0,406 kg/m



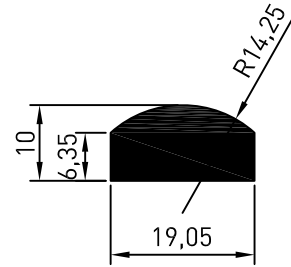
M-1328

0,451 kg/m



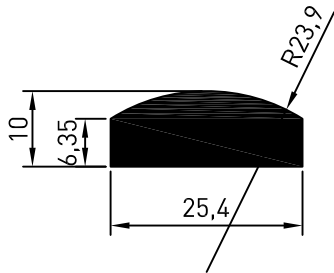
M-504

0,454 kg/m



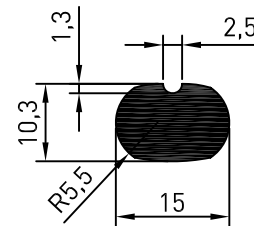
M-510

0,457 kg/m



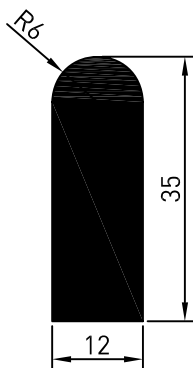
M-511

0,607 kg/m



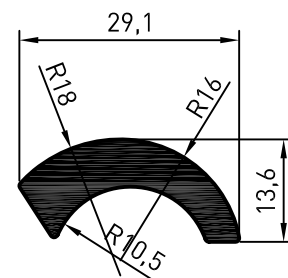
M-512

0,352 kg/m



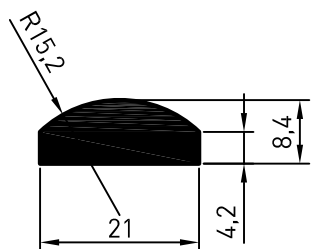
M-531

1,096 kg/m



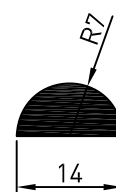
M-670

0,526 kg/m



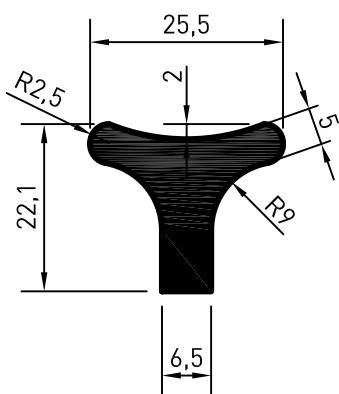
M-691

0,403 kg/m



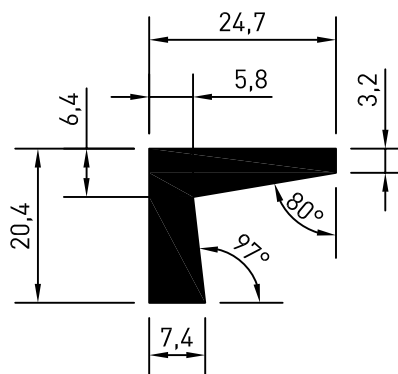
M-739

0,208 kg/m



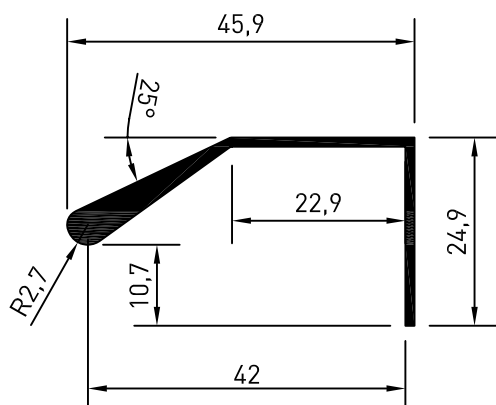
M-918

0,653 kg/m



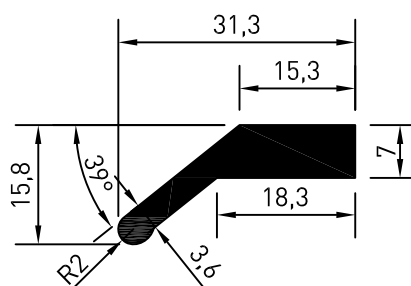
M-1103

0,596 kg/m



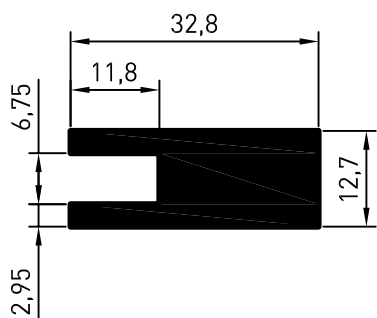
M-1190

0,364 kg/m



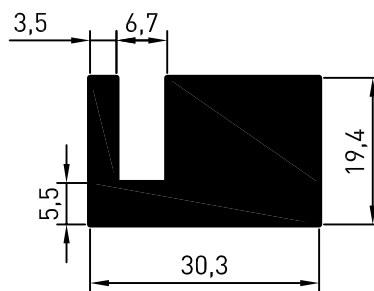
M-1191

0,497 kg/m



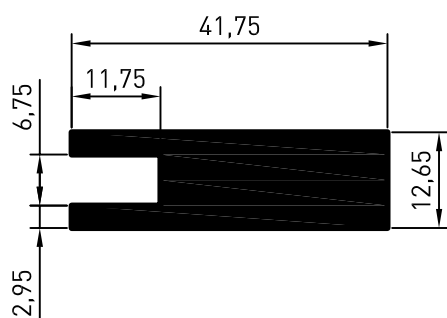
M-669

0,909 kg/m



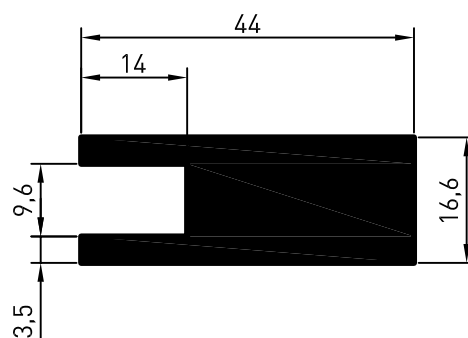
M-775

1,341 kg/m



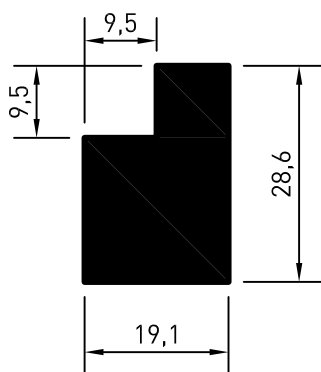
M-787

1,216 kg/m



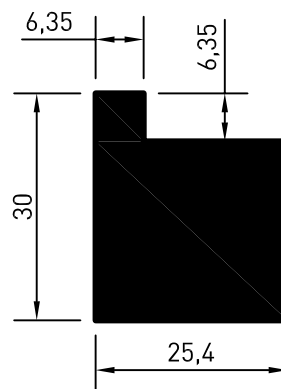
M-788

1,615 kg/m



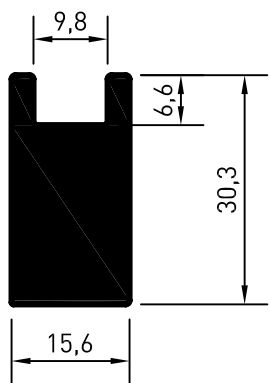
M-806

1,220 kg/m



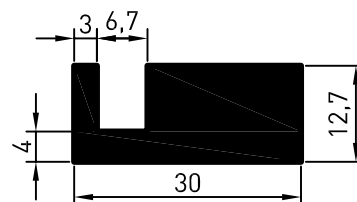
M-885

1,737 kg/m



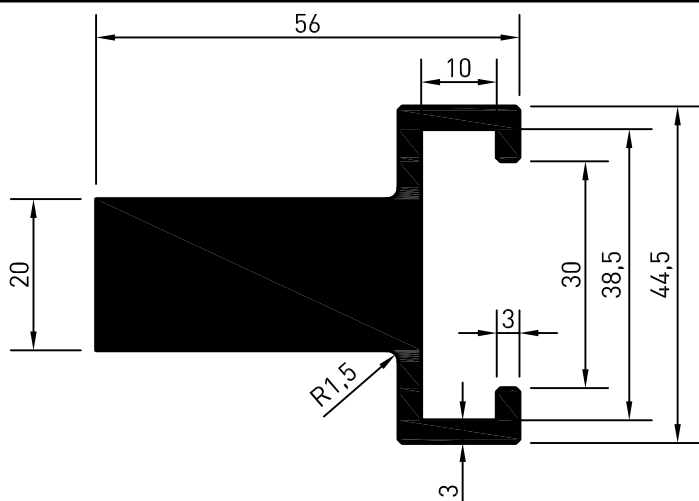
M-886

1,105 kg/m



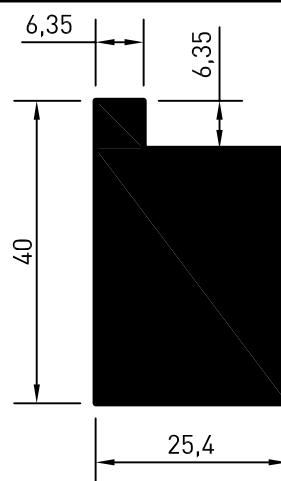
M-887

0,875 kg/m



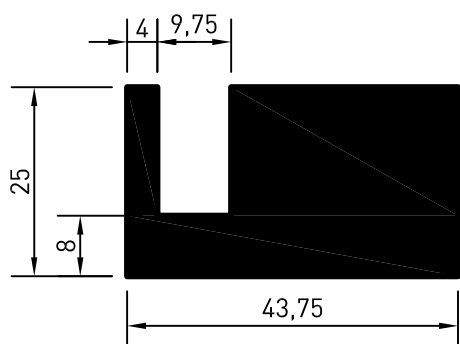
M-1006

2,810 kg/m



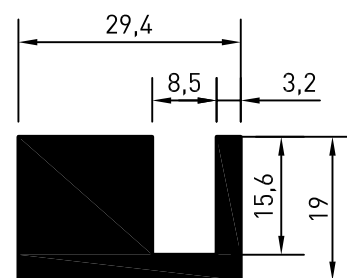
M-1007

2,425 kg/m



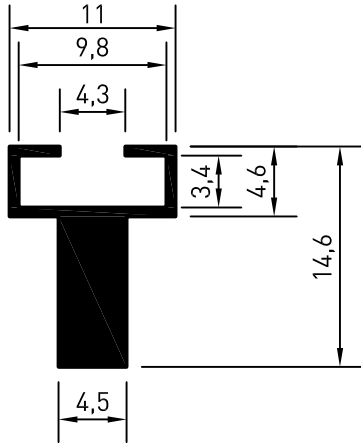
M-1028

2,514 kg/m



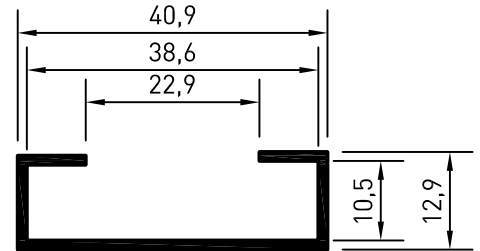
M-1112

1,154 kg/m



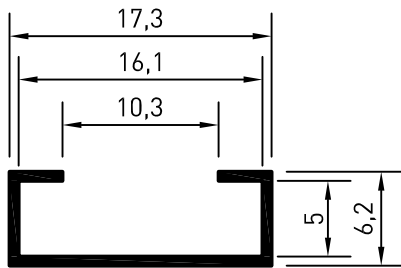
M-1186

0,644 kg/m



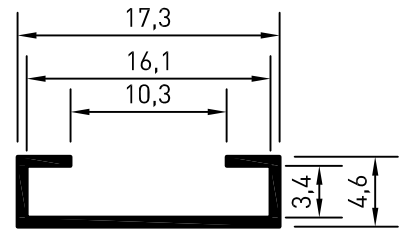
M-1187

0,259 kg/m



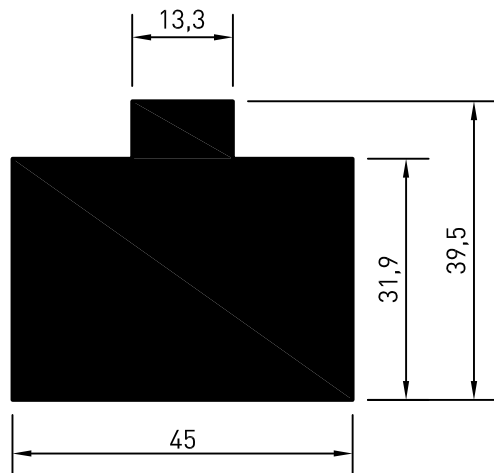
M-1188

0,223 kg/m



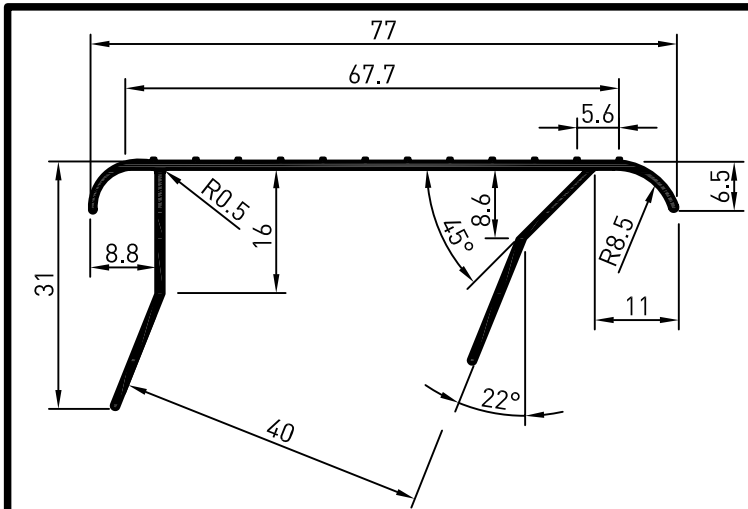
M-1189

0,203 kg/m



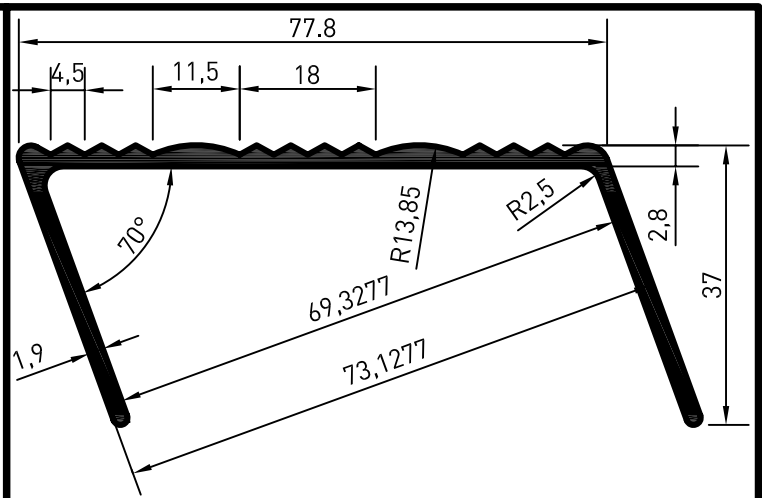
M-1285

4,164 kg/m



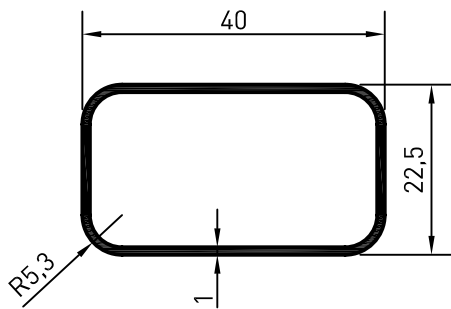
M-425

0,410 kg/m



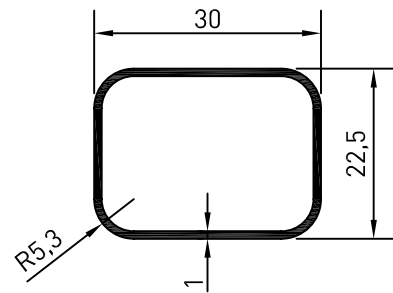
M-900

0,857 kg/m



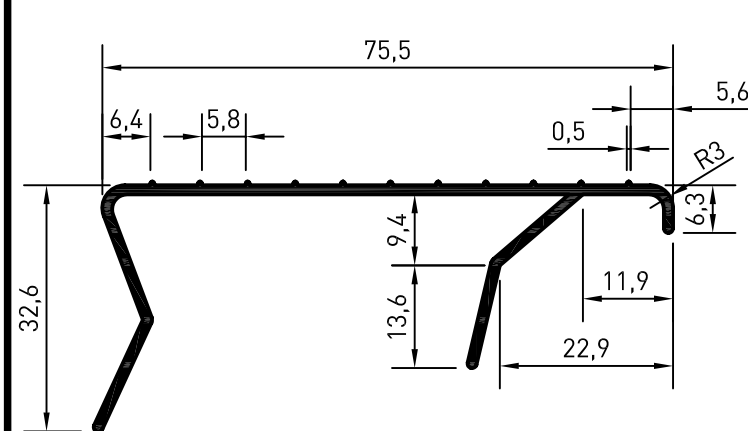
M-1205

0,306 kg/m



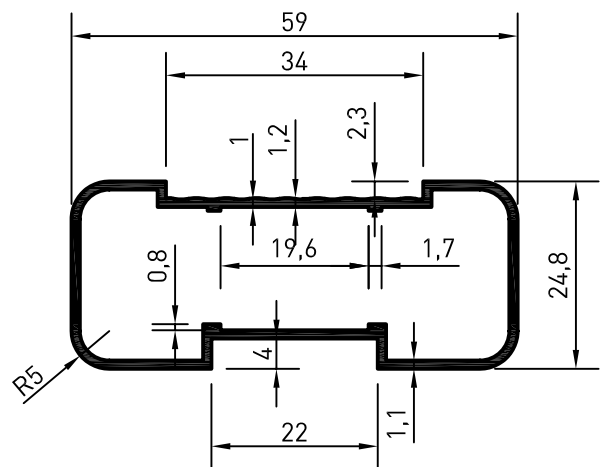
M-1206

0,252 kg/m



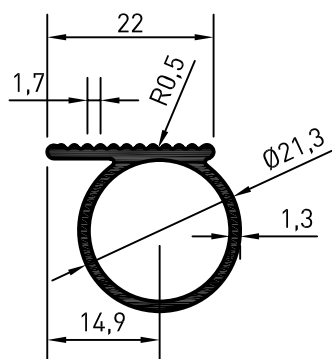
M-1226

0,464 kg/m



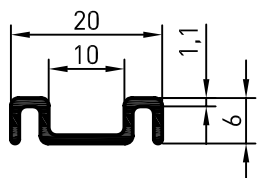
M-1286

0,516 kg/m



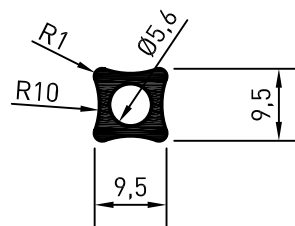
M-1287

0,317 kg/m



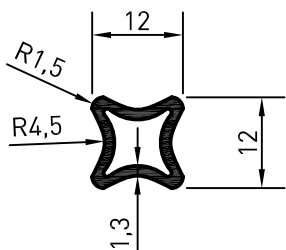
M-430

0,117 kg/m



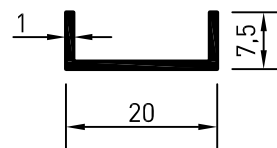
M-1260

0,142 kg/m



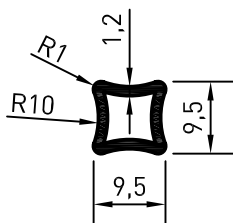
M-1261

0,152 kg/m



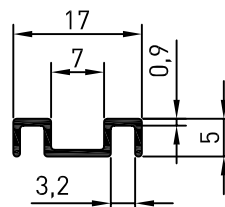
M-1310

0,089 kg/m



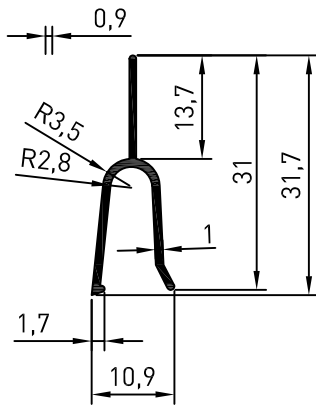
M-1326

0,107 kg/m



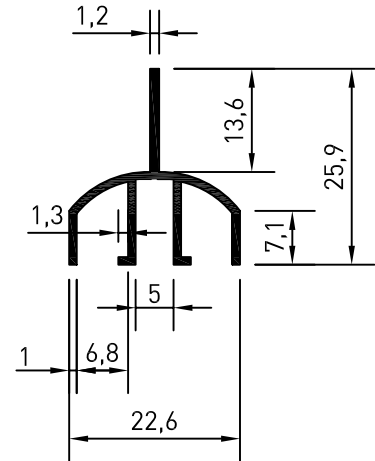
M-1434

0,081 kg/m



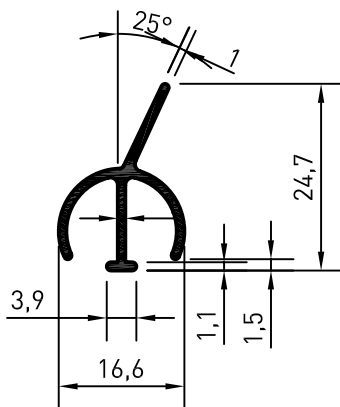
M-516

0,139 kg/m



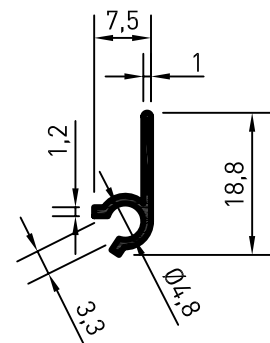
M-1098

0,217 kg/m



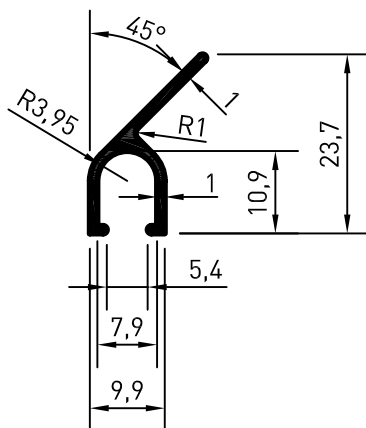
M-1385

0,167 kg/m



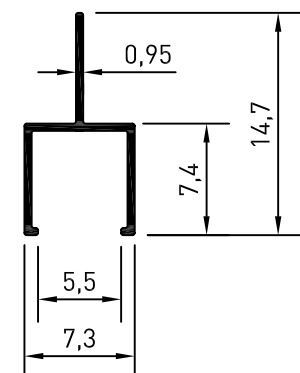
M-1386

0,079 kg/m



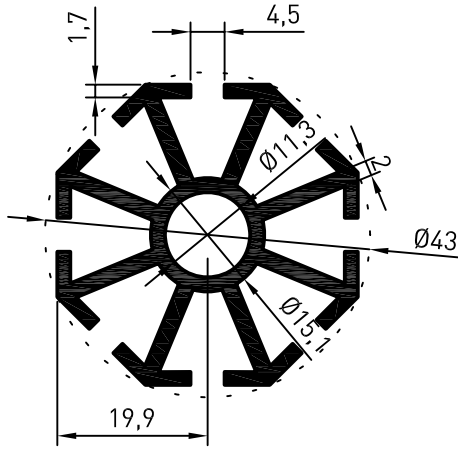
M-1387

0,136 kg/m



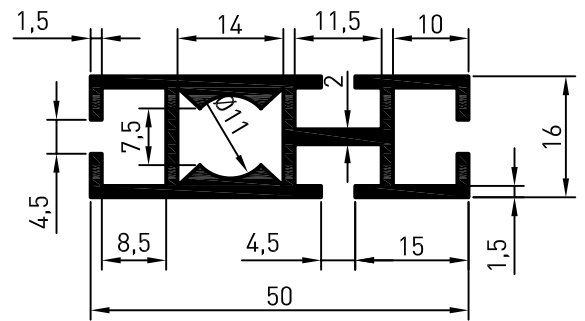
M-1405

0,150 kg/m



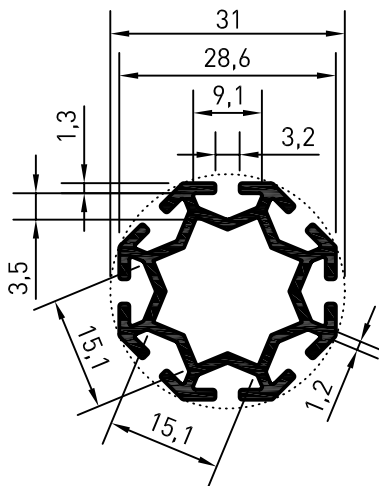
M-537

1,144 kg/m



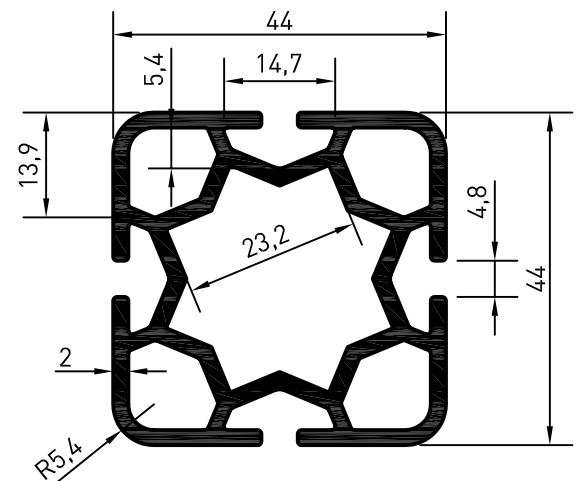
M-538

0,782 kg/m



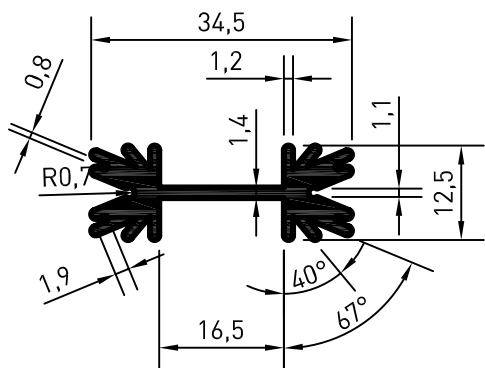
M-880

1,201 kg/m



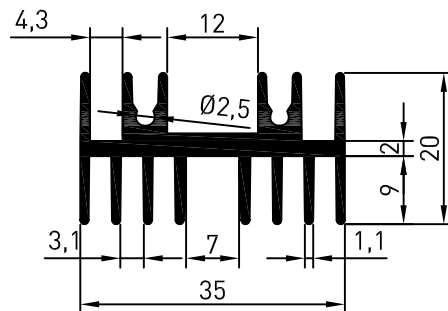
M-1283

1,524 kg/m



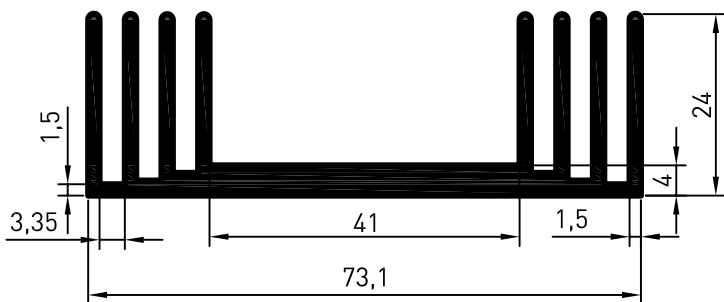
M-400

0,450 kg/m



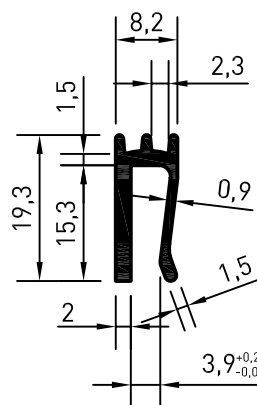
M-542

0,658 kg/m



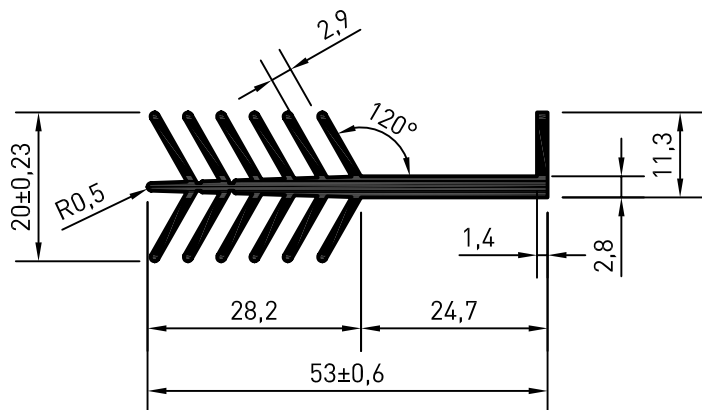
M-565

1,338 kg/m



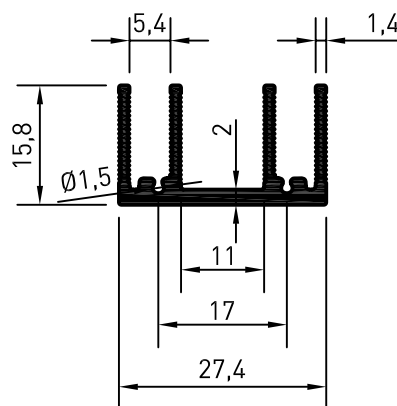
M-1119

0,176 kg/m



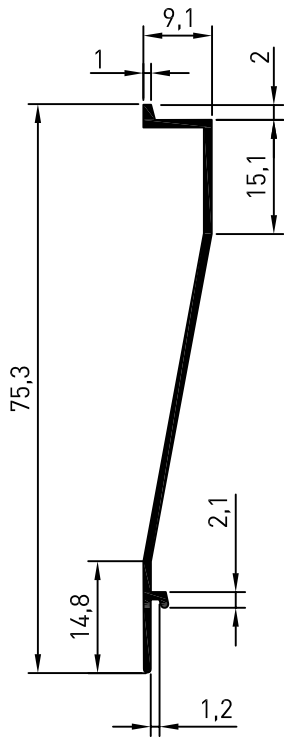
M-1207

0,720 kg/m



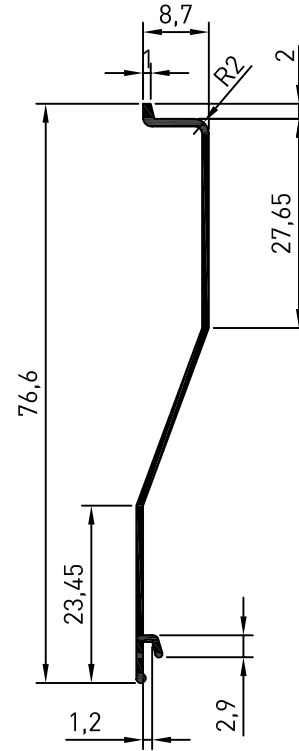
M-1458

0,340 kg/m



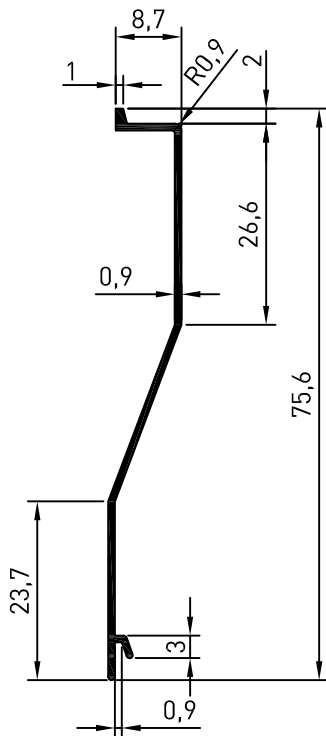
M-411

0,190 kg/m



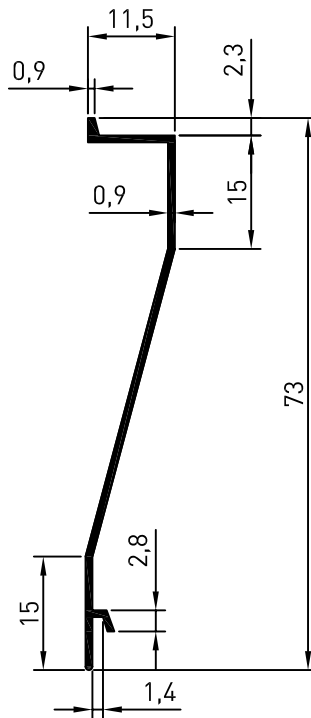
M-442

0,227 kg/m



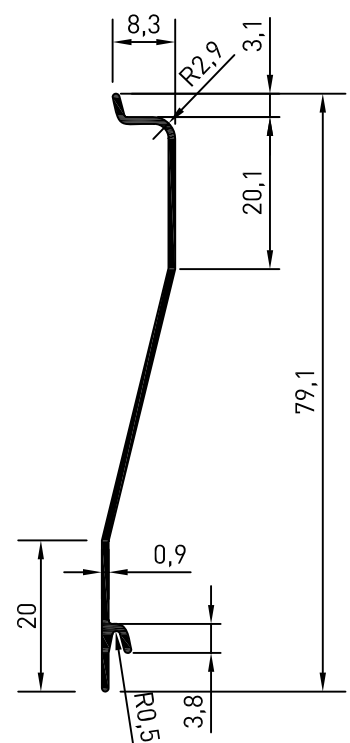
M-479

0,217 kg/m



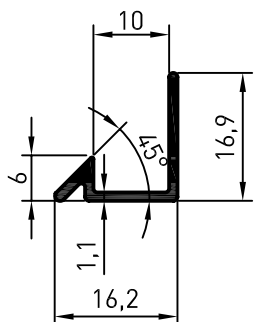
M-589

0,200 kg/m



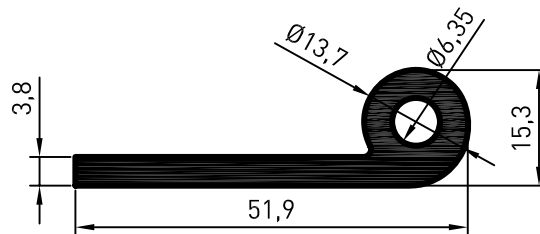
M-928

0,223 kg/m



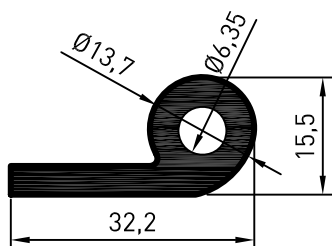
M-503

0,116 kg/m



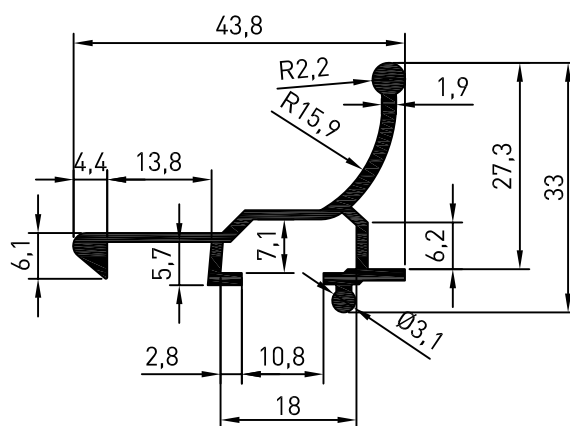
M-505

0,798 kg/m



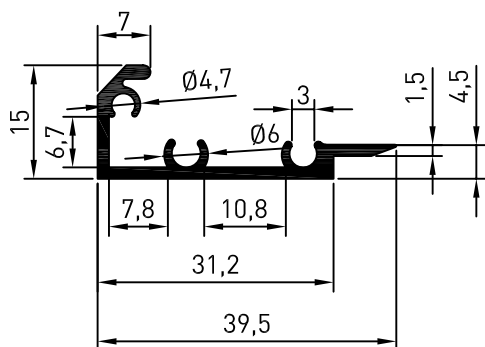
M-515

0,581 kg/m



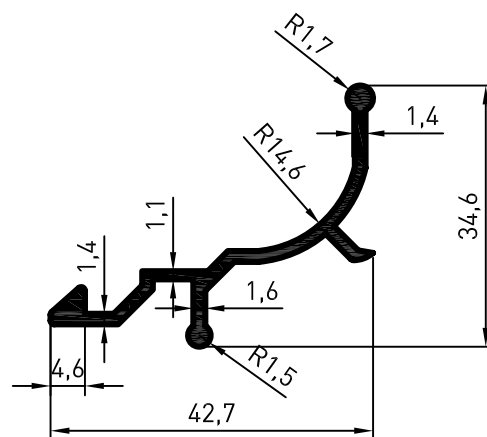
M-540

0,428 kg/m



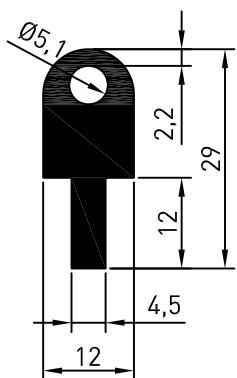
M-541

0,293 kg/m



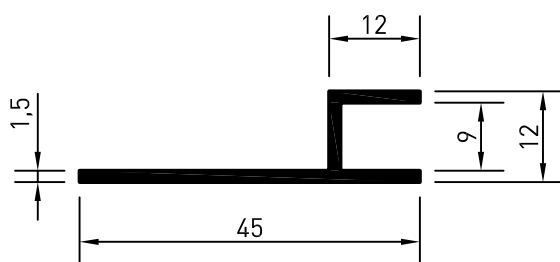
M-578

0,340 kg/m



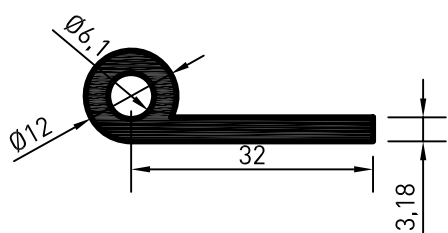
M-594

0,602 kg/m



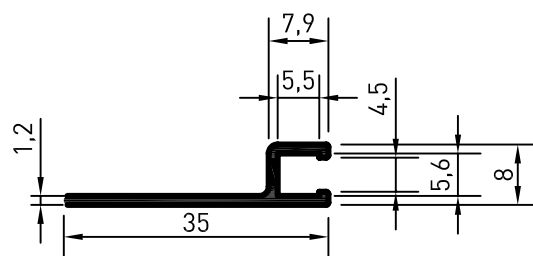
M-889

0,268 kg/m



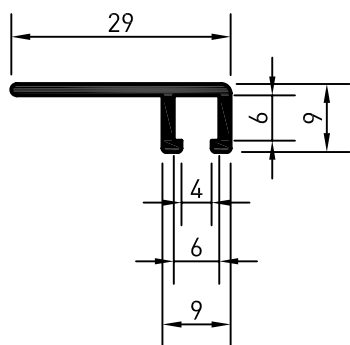
M-891

0,499 kg/m



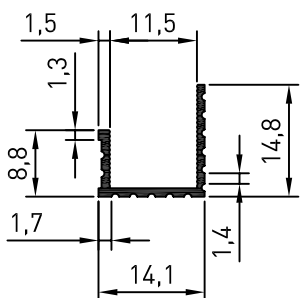
M-908

0,160 kg/m



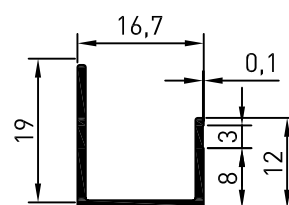
M-1275

0,185 kg/m



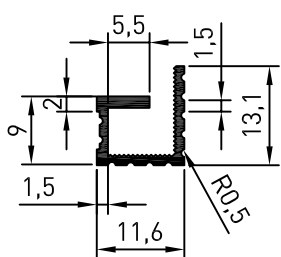
M-440

0,091 kg/m



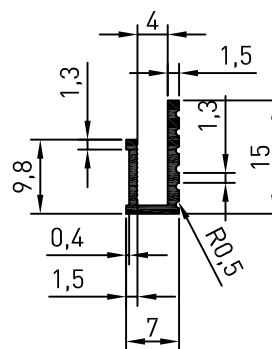
M-451

0,135 kg/m



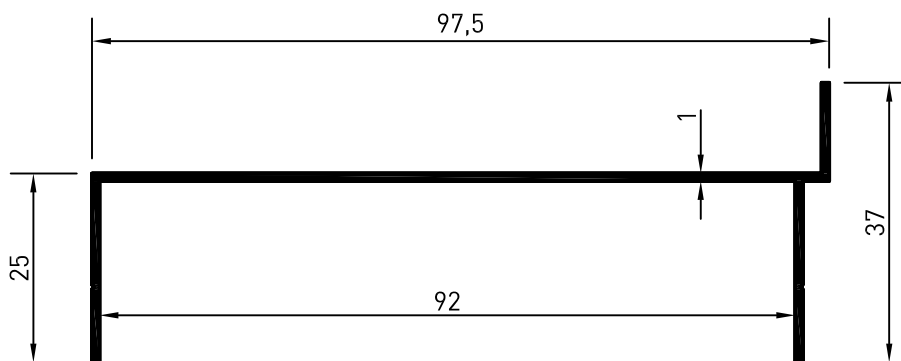
M-452

0,119 kg/m



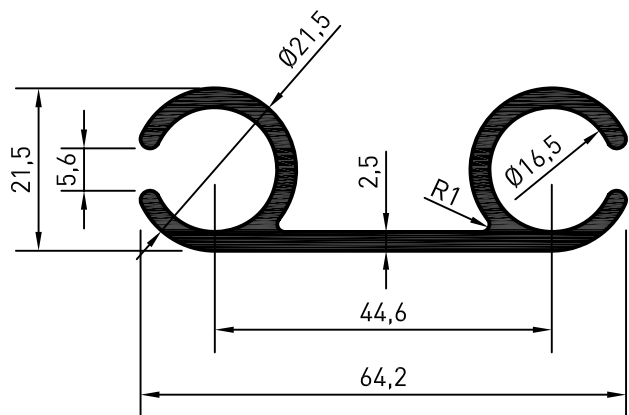
M-453

0,098 kg/m



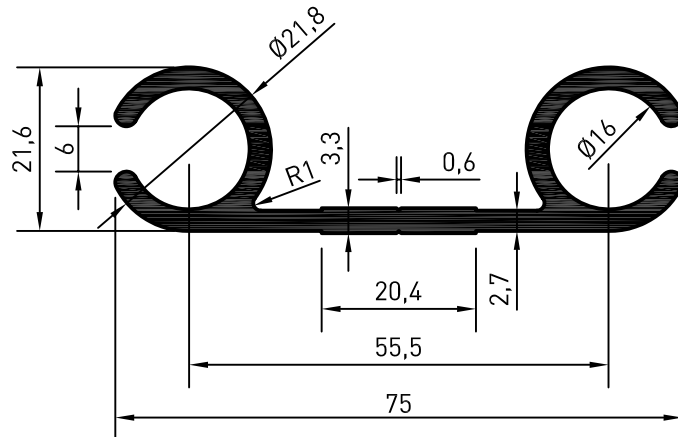
M-952

0,425 kg/m



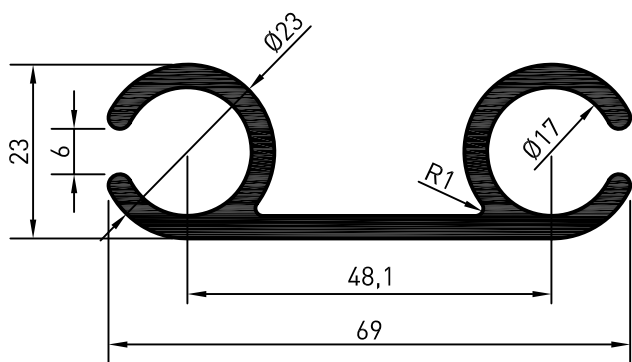
M-890

0,963 kg/m



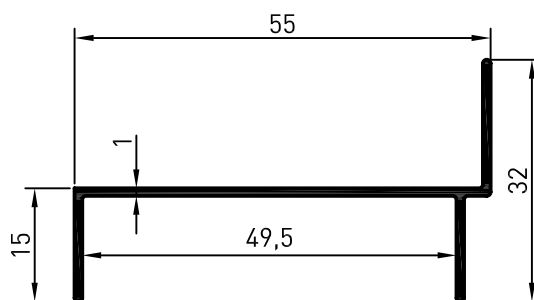
M-927

1,173 kg/m



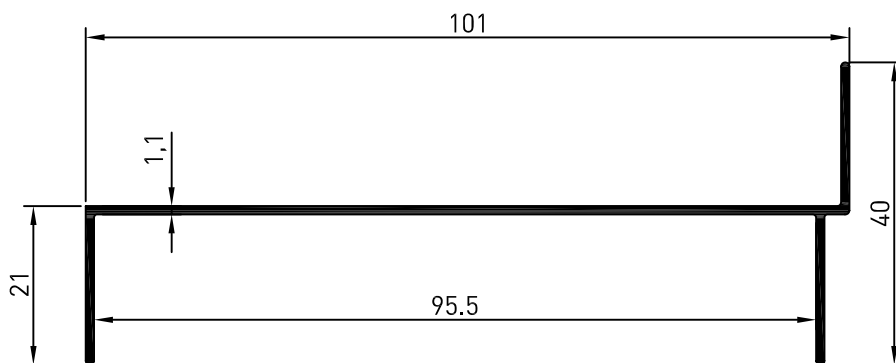
M-1388

1,220 kg/m



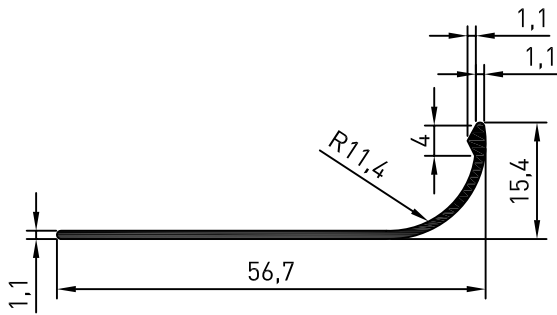
M-449

0,274 kg/m



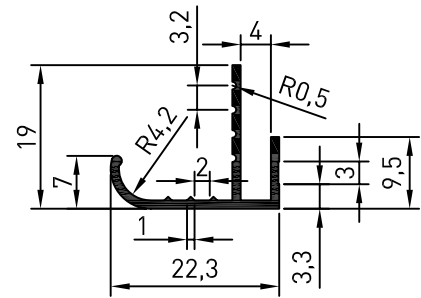
M-450

0,476 kg/m



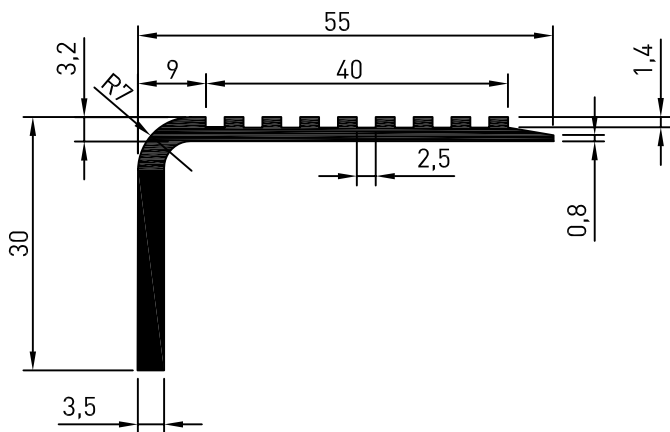
M-454

0,205 kg/m



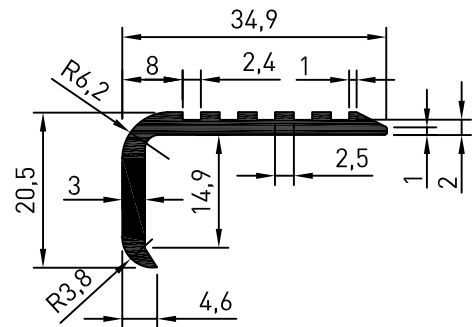
M-455

0,152 kg/m



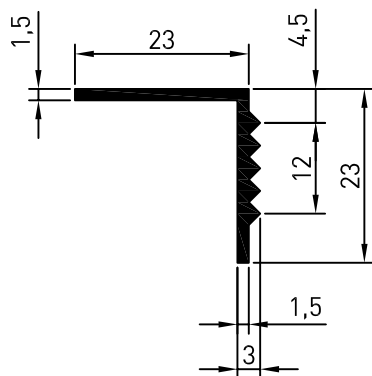
M-417

0,869 kg/m



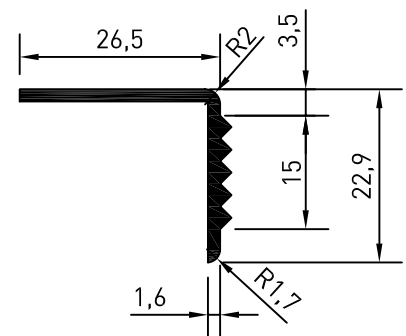
M-418

0,485 kg/m



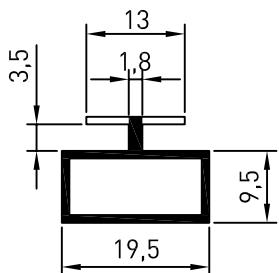
M-763

0,211 kg/m



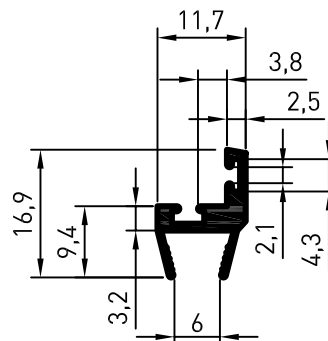
M-828

0,234 kg/m



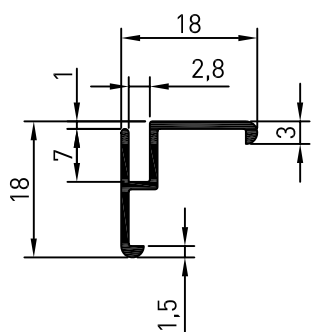
M-424

0,198 kg/m



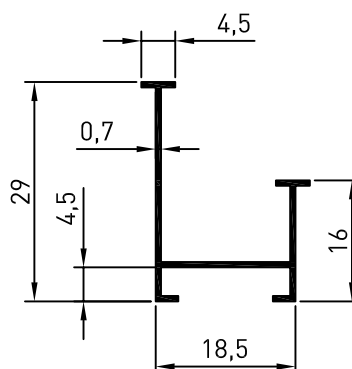
M-432

0,225 kg/m



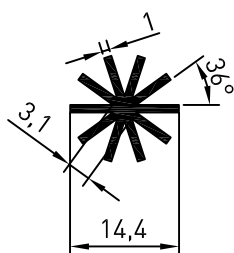
M-447

0,125 kg/m



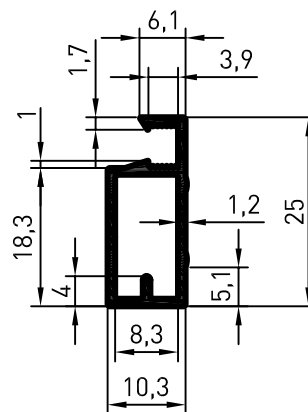
M-548

0,141 kg/m



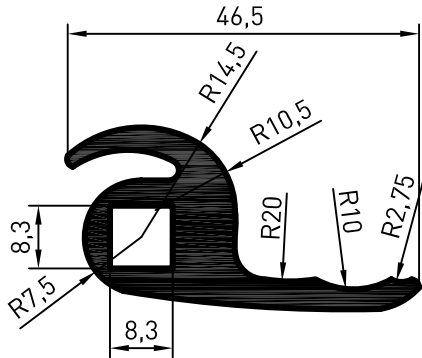
M-649

0,174 kg/m



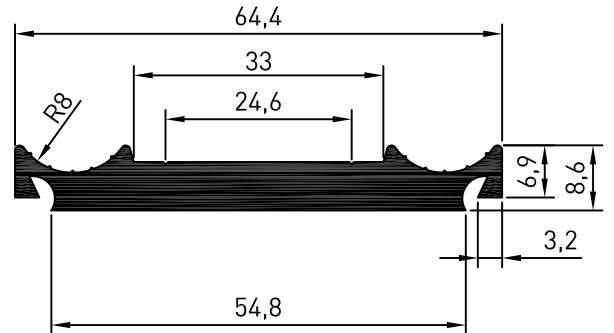
M-667

0,189 kg/m



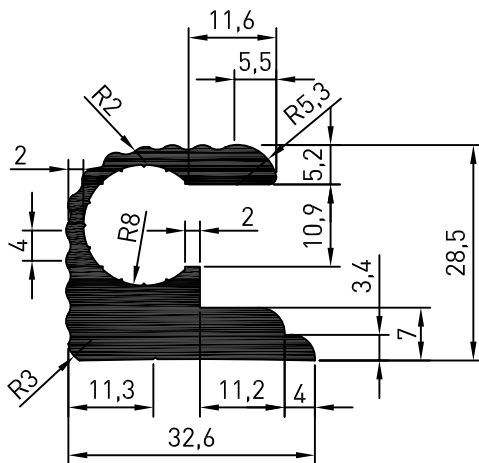
M-697

0,980 kg/m



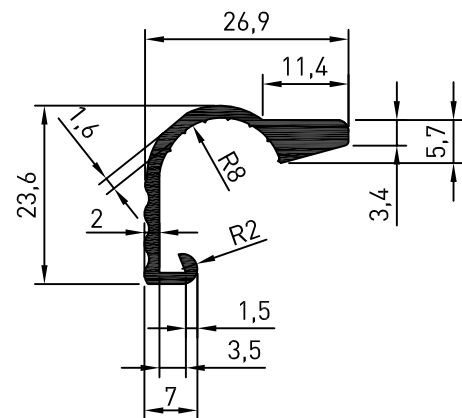
M-699

1,038 kg/m



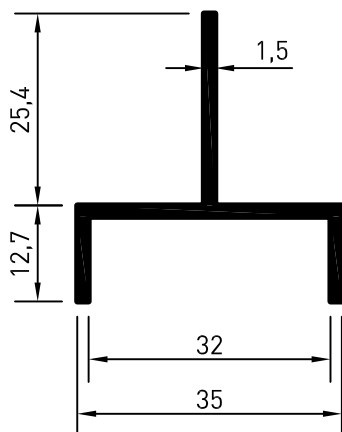
M-700

1,066 kg/m



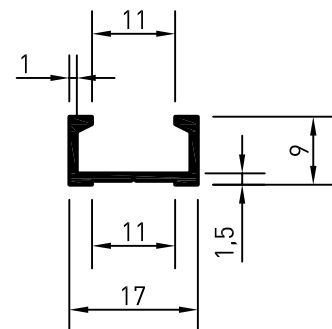
M-701

0,315 kg/m



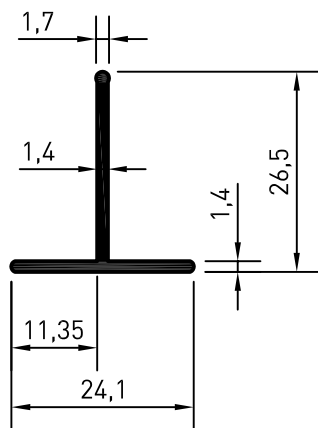
M-972

0,336 kg/m



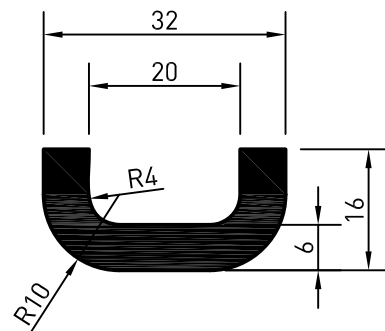
M-1031

0,111 kg/m



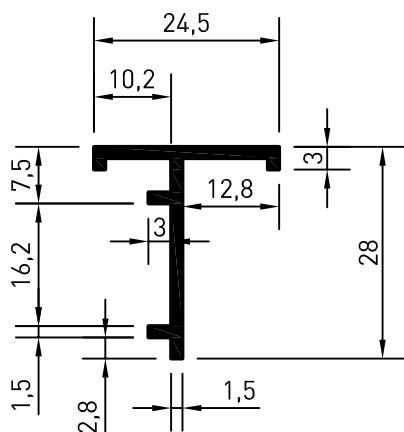
M-1063

0,185 kg/m



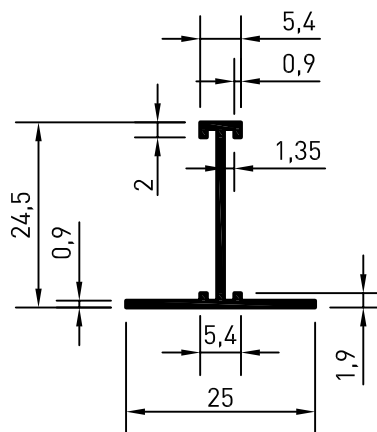
M-1070

0,748 kg/m



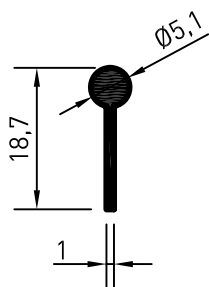
M-1154

0,244 kg/m



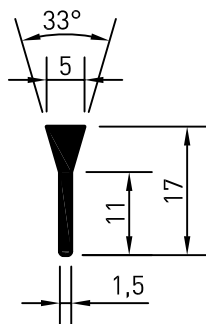
M-1264

0,140 kg/m



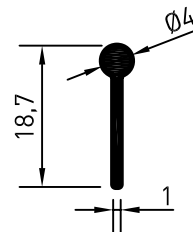
M-963

0,092 kg/m



M-1392

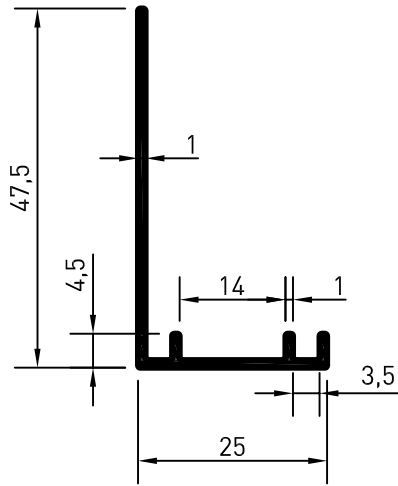
0,097 kg/m



M-994

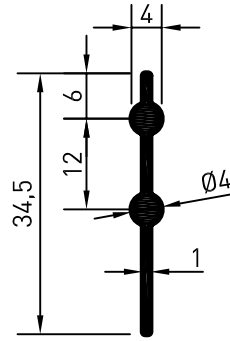
0,074 kg/m

DIVERSOS REFRIGERAÇÃO



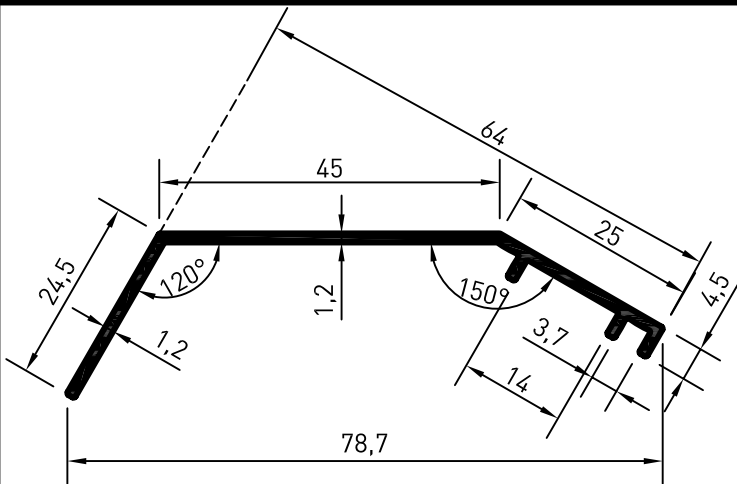
M-993

0,222 kg/m



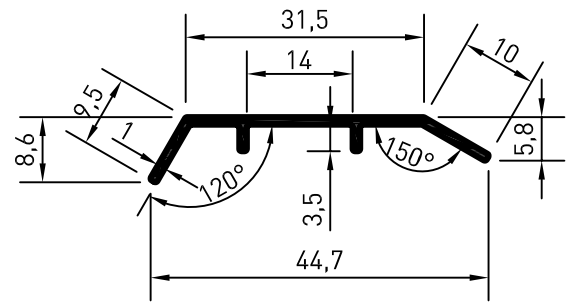
M-995

0,140 kg/m



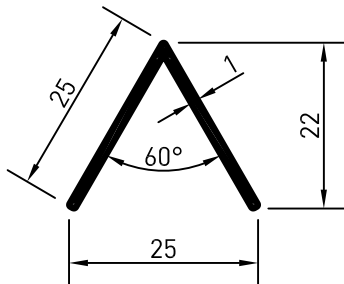
M-996

0,336 kg/m



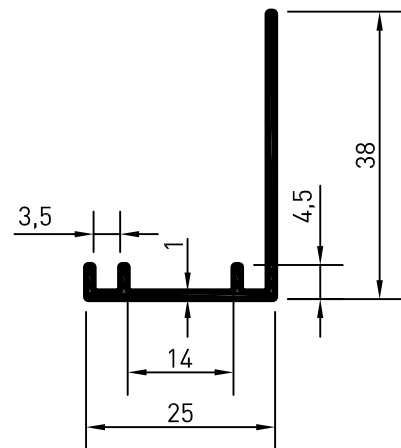
M-997

0,155 kg/m



M-998

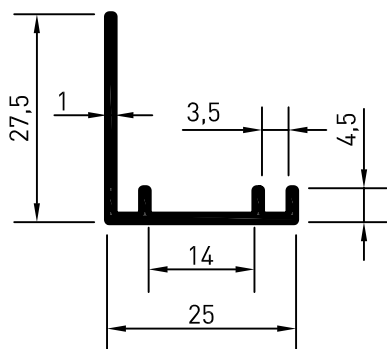
0,132 kg/m



M-999

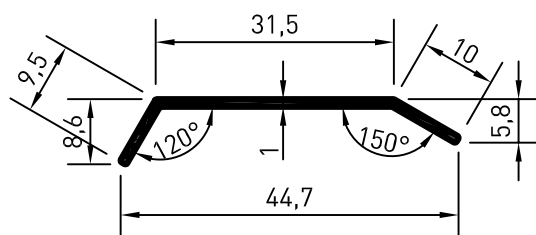
0,196 kg/m

DIVERSOS REFRIGERAÇÃO



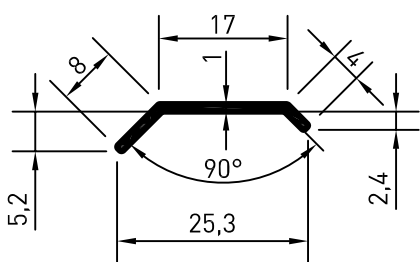
M-1000

0,168 kg/m



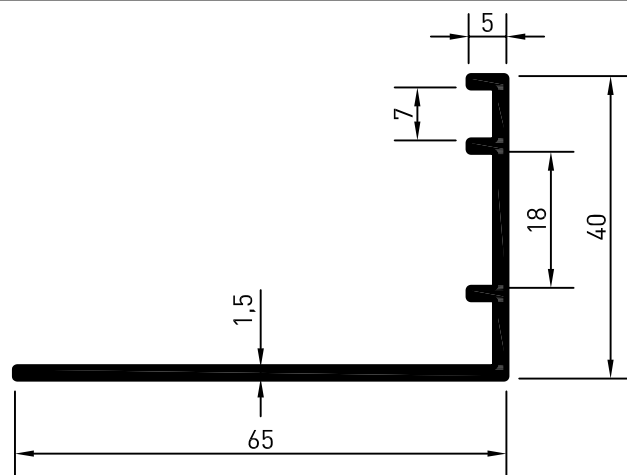
M-1001

0,136 kg/m



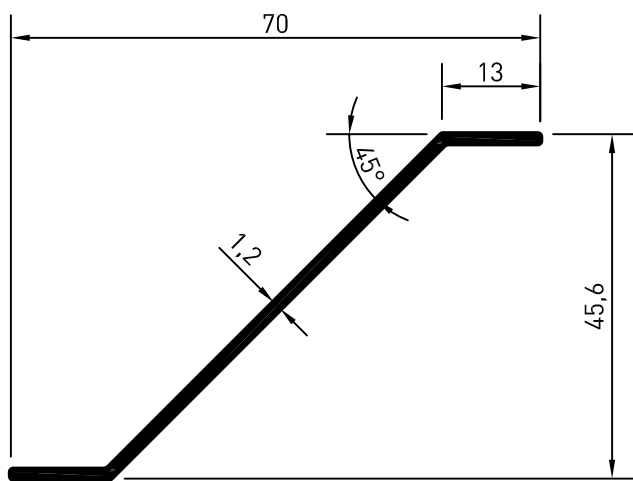
M-1002

0,076 kg/m



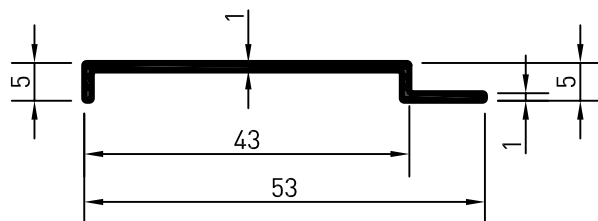
M-1003

0,463 kg/m




M-1004


0,287 kg/m




M-1005

0,165 kg/m

 Estrada do Una, 305 – Bairro do Una
Itaquaquecetuba/SP CEP: 08599-650

 (11) 4647-8080/4644-1931

 contato@macroaluminio.com.br
vendas@macroaluminio.com.br

 www.macroaluminio.com.br

